

**ADDENDUM No. 1**

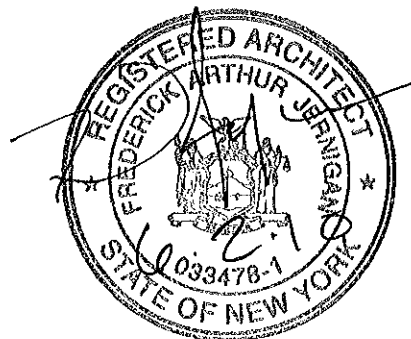
**ADDENDUM DATE:** June 2<sup>nd</sup>, 2010

**PROJECT:** LCI Service Store  
Fort Drum, New York

**OWNER:** LC Industries  
4500 Emperor Blvd.  
Durham, North Carolina 27703

**ARCHITECT:** The Smith Sinnett Architecture, P.A.  
4601 Lake Boone Trail, Suite 3-C  
Raleigh, North Carolina 27607

**BIDS DUE:** **Friday, June 18<sup>th</sup>, 2010 @ 3:00 PM**  
At the  
**Main Conference Room**  
**LC Industries**  
**4500 Emperor Blvd.**  
**Durham, North Carolina 27703**



**Clarifications:**

1. The Environmental Protection Plan, Stormwater Pollution Prevention Plan, and Engineering Report are part of the Scope of Work for this project. They are available on our website <http://smithsinnett.com/main/pages/documents>
2. This project is tax exempt. The New York State Certificate of Authority Sales Tax Identification Number will be released to the successful bidder for completion of form ST-120.1.
3. Federal Prevailing Wage will apply to this project.

**Revisions and Additions to the Specifications:**

**Item 1) Section 00 11 16 Notice To Bidders:**

Sealed proposals will be received by the LC Industries, Post Office Box 13629, Durham, North Carolina 27709, at Main Conference Room, LC Industries, 4500 Emperor Boulevard, Durham, NC 27703, up to 3:00 p.m., Friday, June 18, 2010 for Single-Prime Proposals, and immediately thereafter publicly opened and read for the furnishing of labor, material and equipment entering into the construction of:

LCI Service Store  
Fort Drum, New York

**Item 2) Section 01 21 00, Page 01 21 00-4, Allowances:**

REVISE Allowance No. A-4 to \$600.00/1,000.

**Item 3) Section 13 34 19, Paragraph 2.4 A.:**

**CLARIFICATION:** The specified insulation and method of application is correct. Insulation shown on wall sections are diagrammatic in nature.

**Item 4) Section 13 34 19, Paragraph 1.5.A.9.b:**

**CORRECTION:** Maximum horizontal deflection of girts to be 1/600 of the span.

**Item 5) Section 13 34 19, Paragraph 2.3:**

**CLARIFICATION:** Exterior wall panel profile to match CECO panel MVW (1 1/8" rib height).

**Item 6) Section 11 13 00, Paragraph 2.2:**

**CLARIFICATION:** The specified dock leveler is a mechanical leveler (Rite Hite RHM series).

**Item 7) Section 11 13 00, Paragraph 2.2.F.1:**

**REVISE** Vertical travel above adjoining platform and below adjoining platform to be 12" minimum.

**Item 8) Section 08 71 00, Hardware Schedule:**

**ADD** hardware schedule as included as part of this addenda (attached).

Note: Delete reference to SafLok hardware on page 08 71 00-15. All hardware by this Contractor.

**Revisions and Additions to the Drawings:**

**CIVIL**

**Item 9) Sheet C001, General Note 15:**

**CLARIFICATION:** Testing is contracted by the Owner. Coordination and scheduling of testing agency is the responsibility of the Contractor as specified in sec. 01 40 00.

**ARCHITECTURAL**

**Item 9) Drawing A4-01:**

**REVISE** door schedule 1/A4-01 with door schedule 1/A4-01 as attached to this addenda.

**Item 10) Drawing A4-01:**

**REVISE** frame HM 1 with frame HM 1 as attached to this addenda.

**PLUMBING**

**Item 11) Drawing P-2:**

**DELETE** reference to kitchen sink in detail 2/P-2.

**ELECTRICAL**

**Item 12) Drawing E-1:**

**CLARIFICATION:** 3,000 LF of (1) 4" C SCH80 PVC concrete encased is part of this scope of work .

**Note:** See Correspondence from Fuegel Engineering PC for additional clarifications to the Plumbing, Mechanical, and Electrical portions of the Work.

SECTION 08710- FINISH HARDWARE

HINGES: HAGER-----BB1199-----BB1279---BB1168----BB1193  
MCKINNEY-----T4A3386-----TA2714---T4A3786----TA2314  
STANLEY-----FBB199-----FBB168---FBB179----FBB191  
HB IVES-----5BB1HW-----5BB1-----5PB1

EXIT DEVICES: MONARCH-----25 SERIES US32D  
SARGENT-----88 SERIES US32D  
PRECISION-----2200 SERIES US32D

LOCKS: BEST-----45H-7A3H US26D  
SARGENT-----8200 US26D  
FALCON-----M500 DN US26D

CLOSERS: LCN-----1461 SERIES  
SARGENT-----1431 SERIES  
NORTON-----8301 SERIES

OH STOPS GLYNN JOHNSON: 900 SERIES-----US32D  
454 SERIES-----US32D  
ABH: 9020 SERIES-----US32D  
4400 SERIES-----US32D  
RIXSON: 10-300 SERIES---US32D  
9-300 SERIES----US32D

MANUFACTURERS USED LIST  
CODE MANUFACTURERS NAME

-----  
FL FALCON LOCK  
GL GLYNN JOHNSON  
IV H.B IVES  
LC LCN  
NA NATIONAL GUARD  
RO ROCKWOOD  
RW RICHARDS WILCOX  
VO VON DUPRIN

Group # 1 ALUM DRS & FR. ALL HDW. BY STOREFRONT VENDOR.

1 MORTISE CYLINDER	C987	626	FL
1 CONSTRUCTION CORE	C607CCA 50-231F		FL
1 INTERCHANGEABLE CORE	CB807	626	FL

Group # 2

3 HINGES	5BB1 4 1/2 X 4 1/2	652	IV
1 LOCKSET	MA581B DN	626	FL
1 CLOSER	1461 REG	AL	LC
1 KICKPLATE	8400 8" X 34" B4E CS	US32D	IV
1 OVERHEAD DOOR STOP	904S	US32D	GL
3 DOOR SILENCER	GJ64	GRAY	GL

Group # 3

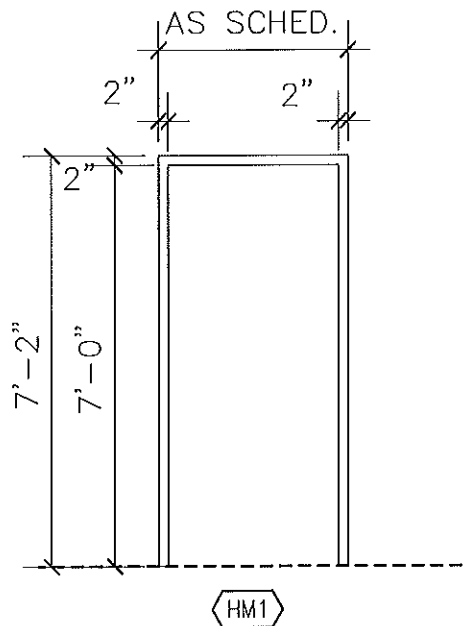
3 HINGES	5BB1HW 4 1/2 X 4 1/2 NRP	630	IV
1 EXIT ALARM LOCK	2670 SEX BOLTS (QTY-6)	US28	VO
1 RIM CYLINDER	C953	626	FL
1 MORTISE CYLINDER	C987	626	FL
1 INTERCHANGEABLE CORE	CB807	626	FL
1 CLOSER	1461 CUSH	AL	LC
1 KICKPLATE	8400 8" X 34" B4E CS	US32D	IV
1 SADDLE THRESHOLD	425 X 48"	AL	NA

1	GASKETING	600 A X 36"		NA
1	NEOPRENE GASKETING	700 EN 1 X 36" + 2 X 84"		NA
1	DRIP CAP	16 A X 40"		NA
Group # 4				
3	HINGES	5BB1 4 1/2 X 4 1/2	652	IV
1	LOCKSET	MA581B DN	626	FL
1	INTERCHANGEABLE CORE	CB807	626	FL
1	CONSTRUCTION CORE	C607CCA 50-231F		FL
1	WALL BUMPER	WS407CCV	US32D	IV
3	DOOR SILENCER	GJ64	GRAY	GL
Group # 5				
3	HINGES	5BB1 4 1/2 X 4 1/2	652	IV
1	PRIVACY SET	MA311 DN	626	FL
1	CLOSER	1461 CUSH	AL	LC
1	KICKPLATE	8400 8" X 34" B4E CS	US32D	IV
3	DOOR SILENCER	GJ64	GRAY	GL
Group # 6				
3	HINGES	5BB1HW 4 1/2 X 4 1/2 NRP	630	IV
1	LOCKSET	MA581B DN	626	FL
1	CONSTRUCTION CORE	C607CCA 50-231F		FL
1	INTERCHANGEABLE CORE	CB807	626	FL
1	CLOSER	1461 CUSH	AL	LC
1	LOCK GUARD	LG10	US32D	IV
1	SADDLE THRESHOLD	425 X 36"	AL	NA
1	GASKETING	600 A X 36"		NA
1	NEOPRENE GASKETING	700 EN 1 X 36" + 2 X 84"		NA
Group # 7				
3	HINGES	5BB1HW 5 X 4 1/2 NRP	630	IV
1	LOCKSET	MA581B DN ABRASIVE/OS	626	FL
1	CONSTRUCTION CORE	C607CCA 50-231F		FL
1	INTERCHANGEABLE CORE	CB807	626	FL
1	CLOSER	1461 CUSH	AL	LC
1	LOCK GUARD	LG10	US32D	IV
1	SADDLE THRESHOLD	425 X 48"	AL	NA
1	NEOPRENE GASKETING	700 EN 1 X 48" + 2 X 84"		NA
1	GASKETING	600 A X 48"		NA
1	DRIP CAP	16 A X 52"		NA
Group # 8				
10	HINGES	5BB1HW 5 X 4 1/2 NRP	652	IV
1	SPRING BOLT	434-P96-434-P27		RW
1	DEADLOCK	MA941B	626	FL
1	CONSTRUCTION CORE	C607CCA 50-231F		FL
1	INTERCHANGEABLE CORE	CB807	626	FL
4	DOOR PULL	110 TYPE 5HD FASTENING	US32D	RO
1	CLOSER	4116 HCUSH TBSRT	AL	LC
	ACTIVE LEAF.			
1	OVERHEAD DOOR STOP	906S	US32D	GL
	INACTIVE LEAF.			
2	DOOR SILENCER	GJ64	GRAY	GL
Group # 9				
6	HINGES	5BB1HW 4 1/2 X 4 1/2	652	IV
2	FLUSH BOLT	FB458	US26D	IV
1	DUST PROOF STRIKE	DP2	US26D	IV
1	LOCKSET	MA581B DN ABRASIVE/OS	626	FL
1	CONSTRUCTION CORE	C607CCA 50-231F		FL
1	INTERCHANGEABLE CORE	CB807	626	FL
1	CLOSER	1461 CUSH	AL	LC
	ACTIVE LEAF.			
1	OVERHEAD DOOR STOP	904S	US32D	GL
	INACTIVE LEAF.			
2	DOOR SILENCER	GJ64	GRAY	GL

<div style="display: flex; align-items: center;"> <div style="border: 1px solid black; border-radius: 50%; width: 30px; height: 30px; display: flex; align-items: center; justify-content: center; margin-right: 10px;"> <span style="font-size: 18px; font-weight: bold;">1</span>  <span style="font-size: 10px;">A4-01</span> </div> <div> <h2 style="margin: 0;">DOOR SCHEDULE</h2> </div> </div>													
DOOR			FRAME			DETAILS				UL	HARDWARE	REMARKS	MARK
MARK	SIZE	MAT'L	ELEV.	MAT'L	ELEV.	JAMB	HEAD	SILL	THLD				
100A	PR 4'-0" X 7'-0" X 1 3/4"	AL	AL2	AL	AL2	SEE DETAIL 3/A3-02				.	1	1	100A
100B	PR 4'-0" X 7'-0" X 1 3/4"	AL	AL2	AL	AL2	SEE DETAIL 3/A3-02				.	1	1	100B
101	3'-0" X 7'-0" X 1 3/4"	SCWD	D5	HM	HM1	J1	H1	.	.	.	2	.	101
102	PR 4'-0" X 7'-0" X 1 3/4"	AL	AL1	AL	AL1	SEE DETAIL 3/A3-02				.	1	1	102
103	3'-0" X 7'-0" X 1 3/4"	HM	D1	HM	HM1	J3	H3	T3	.	.	3	.	103
104	3'-0" X 7'-0" X 1 3/4"	SCWD	D1	HM	HM1	J1	H1	.	.	.	4	.	104
105	3'-0" X 7'-0" X 1 3/4"	SCWD	D1	HM	HM1	J1	H1	.	.	.	5	.	105
106	3'-0" X 7'-0" X 1 3/4"	SCWD	D1	HM	HM1	J1	H1	.	.	.	5	.	106
107	3'-0" X 7'-0" X 1 3/4"	HM	D1	HM	HM1	J3	H3	T3	.	.	6	.	107
108	4'-0" X 7'-0" X 1 3/4"	HM	D2	HM	HM2	J3	H3	T3	.	.	7	.	108
108A	PR 3'-0" X 7'-0" X 1 3/4"	HM	D1	HM	HM1	J1	H1	.	.	.	9	.	109
109	PR 4'-0" X 10'-0" X 1 3/4"	HM	D5	HM	HM1	J1	H1	.	.	.	8	.	109
110A	3'-0" X 7'-0" X 1 3/4"	HM	D3	HM	HM1	J3	H3	T3	.	.	6	.	110A
110B	8'-0" X 10'-0"	.	D4	HM	.	.	.	.	.	.	.	2	110B
110C	8'-0" X 10'-0"	.	D4	HM	.	.	.	.	.	.	.	2	110C

**DOOR SCHEDULE REMARKS**

1. AUTOMATIC SLIDING DOORS. REFER TO ELECTRICAL FOR ADDITIONAL PROVISIONS  
2. SECTIONAL GARAGE DOOR. REFER TO ELECTRICAL FOR ADDITIONAL PROVISIONS



End of Addendum #1

## FUEGEL ENGINEERING, PC

1604 State Tower Building  
109 South Warren Street  
Syracuse, New York 13202  
(315) 423-4270  
Fax 423-4271

May 28, 2010

Smith Sinnett Architecture  
4601 Lake Boone Trail, 3-C  
Raleigh, North Carolina 27607

Attn: Mr. Fred Jernigan, AIA, LEED™ AP

Re: LCI-SSSC  
Fort Drum, New York  
Proposal for Professional Services

The purpose of this letter is to forward clarifications to the mechanical, electric and plumbing drawings for the referenced Project. The items shall be included in an addendum to the Project as required.

### IN THE CONTRACT DRAWINGS

Sheet P-1, NATURAL GAS PLUMBING PARTIAL ENLARGED PLAN, delete:

"GAS METER, BY UTILITY COMPANY AS PART OF SITE CONTRACT {RATED FOR 399 CUFT/HR}"

and, insert:

"GAS METER AND REGULATOR {RATED FOR 399 CUFT/HR} SHALL BE FURNISHED AND INSTALLED BY PLUMBING CONTRACTOR"

Sheet P-1, NATURAL GAS PLUMBING PARTIAL ENLARGED PLAN, delete:

"INCOMING GAS SERVICE, BY UTILITY COMPANY, AS PART OF SITE CONTRACT, REFER TO SHEET C100"

and, insert:

"INCOMING GAS SERVICE BY SITE CONTRACTOR, REFER TO SHEET C100 FOR CONTINUATION"

Sheet P-2, GAS SERVICE RISER DIAGRAM, delete:

"INCOMING UNDERGROUND NATURAL GAS SERVICE, BY UTILITY COMPANY"

and, insert:

"INCOMING UNDERGROUND NATURAL GAS SERVICE, BY SITE CONTRACTOR"

Sheet P-2, GAS SERVICE RISER DIAGRAM, delete:

"SHUT-OFF VALVE IN CURB BOX 2' FROM GAS MAIN, BY UTILITY COMPANY"

and, insert:

"SHUT-OFF VALVE IN CURB BOX 2' FROM GAS MAIN, BY SITE CONTRACTOR"

Sheet P-2, GAS SERVICE RISER DIAGRAM, delete:

"SERVICE CONTROL VALVE, BY UTILITY COMPANY"

and, insert:

"SERVICE CONTROL VALVE, BY SITE CONTRACTOR"

Sheet P-2, GAS SERVICE RISER DIAGRAM, delete:

"PRESSURE REGULATOR, BY UTILITY COMPANY"

and, insert:

"PRESSURE REGULATOR, BY PLUMBING CONTRACTOR"

Sheet P-2, GAS SERVICE RISER DIAGRAM, delete:

"GAS METER, BY UTILITY COMPANY"

and, insert:

"GAS METER, BY PLUMBING CONTRACTOR"

If you have any questions or would like to discuss this further please feel free to contact me at your convenience.

Yours truly,  
FUEGEL ENGINEERING, PC



William Fuegel, P.E.